



**Installation, Operation,
Maintenance and Recharge Manual
No. 05602**

for
**AMEREX
STORED PRESSURE,
HAND PORTABLE
DRY CHEMICAL
FIRE EXTINGUISHERS**

ABC (Ammonium Phosphate Base)
REGULAR (Sodium Bicarbonate Base)
PURPLE K (Potassium Bicarbonate Base)

**HAVE YOUR EXTINGUISHER RECHARGED
IMMEDIATELY AFTER ANY USE**

All fire extinguishers should be installed, inspected and maintained in accordance with the National Fire Protection Association standard titled "Portable Fire Extinguishers", NFPA-10; and the requirements of local authorities having jurisdiction.

When maintenance is indicated, it should be performed by trained persons having proper equipment. Fire extinguishers are pressure vessels and must be treated with respect and handled with care. They are mechanical devices and require periodic maintenance to be sure that they are ready to operate properly and safely. Amerex strongly recommends that the maintenance of portable fire extinguishers be done by a trained professional - your local authorized Amerex Distributor.

Amerex Corp. makes original factory parts available to insure proper maintenance - use of substitute parts releases Amerex of its warranty obligations. Amerex parts have machined surfaces and threads which are manufactured to exacting tolerances. O-rings, hoses, nozzles, horns and all metal parts meet precise specifications and are subjected to multiple in-house inspections and tests for acceptability. There are substitute parts available which are incorrectly labeled as U/L component parts, some are advertised as Amerex type. None of these meet U/L requirements and all of them void the Amerex extinguisher warranty and U/L Listing. *DO NOT SUBSTITUTE.*

References in this Manual:

NFPA-10	"PORTABLE FIRE EXTINGUISHERS"
CGA C-1	"METHODS FOR HYDROSTATIC TESTING OF COMPRESSED GAS CYLINDERS"
CGA C-6	"STANDARD FOR VISUAL INSPECTION OF COMPRESSED GAS CYLINDERS"

Available from:

National Fire Protection Assoc., Inc. Batterymarch Park Quincy, MA 02269
Compressed Gas Association, Inc. 1235 Jefferson Davis Highway Suite 501 Arlington, VA 22202

**AMEREX CORP. ♦ P.O. BOX 81 ♦ TRUSSVILLE, ALABAMA 35173-0081
PHONE: (205) 655-3271 ♦ FAX: (205) 655-3279**

INSTALLATION

THIS MANUAL SHOULD BE CAREFULLY STUDIED BY ALL WHO MIGHT USE OR SERVICE THE EXTINGUISHER. STORE IT IN A CONVENIENT PLACE FOR EASY REFERENCE.

Your layout and particular hazards dictate the placement of fire extinguishers. NFPA-10 (1-6.9) recommends that hand portable extinguishers with a gross weight less than 40 lbs. be hung with the top of the extinguisher **not more** than 5 ft. (1.53 m) above the floor. Extinguishers having a gross weight greater than 40 lbs. (18.14 kg) should be installed so that the top of the extinguisher is **not more** than 3 1/2 ft. (1.07 m) above the floor. All extinguishers should be in an accessible location and near an exit. **Never install the extinguisher in a location where a potential hazard would prevent easy access.**

The operational temperature range is either -65° to +120° F (-54° to +60° C) or -40° to +120° F (-40° to +60° C) [please see the nameplate on your extinguisher]. The extinguisher must be protected if temperatures outside of these ranges are anticipated. Never throw an extinguisher into a fire because rapid heat buildup could cause pressure expansion and exceed the limitations of the cylinder.

OPERATION

CAUTION: Persons expected to use this extinguisher should be trained in initiating its operation and in proper fire fighting technique. "Hands on" training will prepare personnel with the feel for this high pressure extinguisher so that the most effective application can be utilized in an emergency situation. The basic operating instructions are contained in the pictogram portion of every extinguisher nameplate (label). The following elaborates on these instructions:

1. **Remove extinguisher from wall hanger or vehicle bracket.**
2. **HOLD the EXTINGUISHER UPRIGHT, twist and PULL the RING (safety) PIN, snapping the plastic lockwire seal.**
3. **START BACK a minimum of 8 FEET from the fire, grasp the nozzle and AIM it AT the BASE OF THE FIRE nearest you.**
4. **KEEPING THE EXTINGUISHER UPRIGHT, SQUEEZE THE LEVER TO DISCHARGE AND SWEEP THE CHEMICAL AGENT STREAM FROM SIDE TO SIDE. Work the fire away from you while being alert for flashbacks. Move closer as the fire is extinguished but not so close as to scatter or splash the burning material.**
5. **When the fire is out, stand by and watch for possible re-ignition.**
6. **Evacuate and ventilate the area immediately after extinguishing the fire. The fumes and smoke from any fire may be hazardous and can be deadly.**

DISCHARGE TIME AND EFFECTIVE RANGE OF THE AGENT THROW VARIES ACCORDING TO MODEL - SEE THE SPECIFICATION LITERATURE FOR YOUR EXTINGUISHER.

RECHARGE FIRE EXTINGUISHERS IMMEDIATELY AFTER ANY USE

AMEREX CORPORATION DOES NOT SERVICE, MAINTAIN OR RECHARGE FIRE EXTINGUISHERS. THIS MANUAL IS PUBLISHED AS A GUIDE TO ASSIST QUALIFIED SERVICE PERSONNEL IN THE INSPECTION, MAINTENANCE AND RECHARGE OF AMEREX FIRE EXTINGUISHERS ONLY. NO INSTRUCTION MANUAL CAN ANTICIPATE ALL POSSIBLE MALFUNCTIONS THAT MAY BE ENCOUNTERED IN THE SERVICE OF FIRE EXTINGUISHERS. DUE TO THE POSSIBILITY THAT PRIOR SERVICE PERFORMED ON THIS EQUIPMENT MAY HAVE BEEN IMPROPERLY DONE, IT IS EXTREMELY IMPORTANT THAT ALL WARNINGS, CAUTIONS AND Notes IN THIS MANUAL BE CARE FULLY OBSERVED. FAILURE TO HEED THESE INSTRUCTIONS COULD RESULT IN SERIOUS INJURY. AMEREX ASSUMES NO LIABILITY FOR SERVICE, MAINTENANCE OR RECHARGE OF FIRE EXTINGUISHERS BY PUBLISHING THIS MANUAL.

INSPECTING THE EXTINGUISHER

This extinguisher should be INSPECTED at regular intervals (monthly or more often if circumstances dictate) to insure that it is ready for use.

INSPECTION [NFPA-10 4.2.1] is a "quick check" that an extinguisher is available and will operate. It is intended to give reasonable assurance that the extinguisher is fully charged and operable. This is done by seeing that it is in its designated place, that it has not been actuated or tampered with, and that there is no obvious physical damage or condition to prevent operation.

Note: Some companies may prefer a more positive indication of pressure gauge integrity (beyond visual inspection). The AMEREX Model 871 GAUGE TESTER is available for this purpose. Contact your Amerex Distributor for further details.

PERIODIC INSPECTION PROCEDURES

(Monthly or more often if circumstances dictate)

[NFPA-10 4-3.2] A "quick check" should be made of the extinguisher for the following:

1. Located in designated place.
2. No obstructions to access or visibility.
3. Operating instructions on nameplate and facing outward.
4. Seals and tamper indicators not broken or missing.
5. Determine fullness by weighing or "hefting".
6. Examine for obvious physical damage, corrosion, leakage or clogged nozzle.
7. Pressure gauge reading in the operable area.

MAINTENANCE

MAINTENANCE [NFPA-10 4-4.1 & 4-4.2] At least once a year (or more frequently if indicated by an inspection), MAINTENANCE should be performed. MAINTENANCE is a "thorough check" of the extinguisher. It is intended to give maximum assurance that an extinguisher will operate effectively and safely. It includes a thorough examination and any necessary repair or replacement. It will normally reveal the need for hydrostatic testing.

ANNUAL MAINTENANCE PROCEDURES

1. Clean extinguisher to remove dirt, grease or foreign material. Check to make sure that the instruction nameplate and U/L manifest are securely fastened and legible. Inspect the cylinder for corrosion, abrasion, dents or weld damage. If any of these conditions are found and you doubt the integrity of the cylinder, hydrostatically test to factory test pressure, using the proof pressure method, in accordance with CGA Pamphlet C-1 and NFPA Pamphlet 10. See proper method of depressurizing and reclaiming chemical in RECHARGE procedures.

Note: When cleaning, avoid use of solvents around the pressure gauge. They could seriously damage the plastic gauge face.

2. Inspect the extinguisher for damaged, missing or substitute parts. Only factory replacement parts are approved for use on Amerex fire extinguishers.
3. Weigh extinguisher and compare with weight printed in the "Maintenance" section on the nameplate (label). Recharge extinguisher if weight is not within indicated allowable tolerances.
4. Check the date of manufacture on the extinguisher label (nameplate). Cylinder must be hydrostatically (proof pressure) tested every 12 years to the test pressure indicated on the nameplate.
5. Visually inspect the pressure gauge:
 - a. if bent, damaged or improper gauge, depressurize and replace
 - b. if pressure is low, check for leaks
 - c. if overpressurized (overcharged), depressurize the extinguisher and follow recharge instructions

Note: The AMEREX Model 871 GAUGE TESTER may be used to check the integrity of a gauge indicating proper operating pressure.
6. Check ring pin for freedom of movement. Replace if bent or if removal appears difficult.
7. Inspect discharge lever for any dirt or corrosion which might impair freedom of movement. Inspect carrying handle for proper installation. If lever, handle or rivets are damaged - replace with proper Amerex part/s.
8. Remove nozzle or hose and horn assembly and visually inspect inside valve body. (Chemical in the valve body may indicate that the extinguisher has been partially discharged and should therefore be recharged). Inspect nozzle or the hose & horn assembly for damage - replace as necessary. Blow air through nozzle or hose and horn to insure passage is clear of foreign material.
9. Inspect the valve assembly for corrosion or damage to hose thread connection. Replace valve assembly or component parts as necessary following the proper depressurization and recharge procedures. If valve removal is necessary, complete all steps in the Recharge Procedure.
10. Install nozzle or hose and horn assembly.
11. Install new tamper seal if broken and record service data on the extinguisher inspection tag.
12. Replace the extinguisher on the wall hanger or in the vehicle bracket making sure that it fits the bracket properly - replace the bracket if necessary.

COMPLETE MAINTENANCE (SIX YEAR TEARDOWN)

COMPLETE MAINTENANCE (SIX YEAR TEARDOWN) [NFPA-10 4-4.1.3] Every six years, stored pressure extinguishers that require a 12 year hydrostatic test shall be emptied and subjected to the applicable maintenance procedures. When the applicable maintenance procedures are performed during periodic recharging or hydrostatic testing, the six year requirement shall begin from that date.

Note: Some States have legislation which requires "Complete Maintenance" on an annual basis. Internal marking or tagging of the downtube indicating that service has been performed is required by law in several States. Please contact your local Amerex Distributor to see if these requirements apply to you.

COMPLETE MAINTENANCE (SIX YEAR TEARDOWN) PROCEDURES

1. Discharge chemical and pressure into a "closed" dry chemical recovery system (several are commercially available). Make sure that the extinguisher is completely empty and depressurized.

Note: A "closed recovery system" is designed to prevent loss of the chemical "fines". Loss of the "fines" could result in a reduced extinguisher efficiency.

2. Clean extinguisher to remove dirt, grease or foreign material. Check to make sure that the instruction nameplate is securely fastened and legible. Inspect the cylinder for corrosion, abrasion, dents or weld damage. If any of these conditions are found and you doubt the integrity of the cylinder, hydrostatically test to factory test pressure marked on the nameplate (label), using the proof pressure method, in accordance with CGA Pamphlet C-1 and NFPA Pamphlet 10.

Note: When cleaning, avoid use of solvents around the pressure gauge. They could seriously damage the plastic gauge face.

3. Inspect the extinguisher for damaged, missing or substitute parts. Only factory replacement parts are approved for use on Amerex fire extinguishers.
4. Check the date of manufacture on the extinguisher label (nameplate). Cylinder must be hydrostatically (proof pressure) tested every 12 years to the test pressure indicated on the nameplate.
5. Visually inspect the pressure gauge - if bent, damaged or improper type or pressure - replace with the proper Amerex pressure gauge (see PARTS LIST).
6. Check ring pin for freedom of movement. Replace if bent or if removal appears difficult.
7. Inspect discharge lever for any dirt or corrosion which might impair freedom of movement. Inspect carrying handle for proper installation. If lever, handle or rivets are damaged - replace with proper Amerex part/s.
8. Remove nozzle or hose and horn assembly and visually inspect : threads on nozzle or hose coupling, horn and hose for damage - replace as necessary. Blow air through nozzle or hose and horn to insure passage is clear of foreign material.
9. Inspect the valve assembly for corrosion or damage to nozzle or hose thread connection. Replace valve assembly or component parts as necessary.
10. Disassemble valve assembly by removing downtube, spring and valve stem assembly. Remove collar o-ring from valve.
11. Complete steps 4 thru 15 of RECHARGE PROCEDURE.

RECHARGE

RECHARGING [NFPA-10 4-2.3] is the replacement of the extinguishing agent and also includes the expellant for this type of extinguisher.

- WARNING:**
- a. Before attempting to recharge be sure the extinguisher is completely depressurized.
 - b. Never have any part of your body over the extinguisher while removing the valve assembly.
 - c. Use a protective shield between you and the pressure gauge while charging an extinguisher. Do not stand in front of the gauge if a shield is not available.
 - d. Use a **REGULATED** pressurizing source of dry nitrogen only with a minimum dew point of minus 70°F (minus 57°C). Set the regulator to no more than 25 psi above the operating pressure.
 - e. Check and calibrate regulator gauge at frequent intervals. The regulator gauge should be used to determine when the intended charging pressure has been reached. Do not use the extinguisher gauge for this purpose.
 - f. Never leave an extinguisher connected to a regulator of a high pressure source for an extended period of time. A defective regulator could cause the cylinder to rupture due to excessive pressure.
 - g. Do not mix types of dry chemicals in extinguishers, recharge or recovery systems. Mixing ABC (acidic base) with Regular, Purple-K, Super-K or Monnex (alkaline base) dry chemicals may result in a chemical reaction capable of developing a dangerous pressure buildup.

RECHARGING PROCEDURE

1. Perform steps 1 thru 10 of the "COMPLETE MAINTENANCE (SIX YEAR TEARDOWN)" section.
2. Thoroughly clean all parts of the disassembled valve with a soft bristle brush or soft cloth. Blow the valve out with air or nitrogen. Inspect the collar o-ring, valve stem, spring and downtube ass'y - replace parts if worn or damaged. Lubricate the collar o-ring, and small o-ring on the valve stem with Visilox V-728 (do not lubricate the valve stem seal).
3. Reassemble the valve assembly, including downtube and set aside.
4. Remove any chemical remaining in the cylinder and check the condition. Properly dispose of any chemical that is contaminated or caked.
5. Inspect the cylinder interior following CGA Visual Inspection Standard, Pamphlet C-6.
6. Using an accurate scale, fill cylinder with the correct amount and type of dry chemical specified on the label (name plate). Use AMEREX chemical which has been kept free of moisture and contamination.

CAUTION: Filling by eye alone could cause potentially dangerous over-filling, always use a scale.

7. Clean cylinder collar o-ring seat and collar threads with a small brush and then wipe off surfaces with a clean damp cloth to remove dust. Lightly brush the collar o-ring seat with Visilox V-728.
8. Carefully center the downtube and install valve assembly **HAND TIGHT** to the cylinder (the bottom of the valve body should touch the top of the cylinder collar). Attach the nitrogen charging adapter to the valve assembly.
9. With the extinguisher properly secured in an upright position, connect your nitrogen pressurizing line with a quick connect to the nitrogen charging adapter. Depress the extinguisher operating lever and pressurize extinguisher with dry nitrogen to the proper operating pressure. When the desired pressure has been reached, release the lever. Shut off nitrogen supply and remove the quick connect.
10. Check extinguisher for leaks by applying leak detecting fluid or a solution of soapy water to the nitrogen charging adapter orifice, around the collar o-ring sealing area, cylinder welds and gauge. Remove the nitrogen charging adapter. Blow air or nitrogen into the interior of the valve assembly to remove any remaining leak detecting fluid. Wipe exterior of extinguisher to remove any remaining residue.
11. Install nozzle or hose and horn assembly.
12. Install ring pin with ring facing the front of the extinguisher.
13. Install tamper seal. Record recharge date and attach new recharge tag.
14. Weigh assembled extinguisher and confirm that the total weight is within the allowable tolerances indicated in the "Maintenance" section of the nameplate (label).

TROUBLESHOOTING GUIDE

WARNING: Determine the source of a leak before the extinguisher is depressurized. **THE EXTINGUISHER MUST BE COMPLETELY DEPRESSURIZED BEFORE ANY ATTEMPT IS MADE TO DEVALUE IT AND CORRECT A LEAKAGE PROBLEM.** To depressurize - hold the extinguisher in an inverted position and slowly squeeze the discharge handle. Some chemical remaining in the downtube will be expelled so care should be taken in the area being used for depressurizing. Thoroughly clean all valve parts after depressurization and valve removal.

PROBLEM	CORRECTIVE ACTION
1. Leak at collar o-ring.	1. Remove valve assembly, remove and discard o-ring, clean collar and lube lightly with Visilox V-728. Clean o-ring groove on valve and install new collar o-ring. Lubricate o-ring with Visilox V-728.
2. Leak through valve.	2. Check valve stem seating area for scratches or foreign matter. Clean seating area with a tooth brush and soft cloth. Install new valve stem assembly.
3. Leak around gauge	3. Remove gauge*, clean threads and reinstall using Teflon tape on the gauge threads.
4. Defective gauge.	4. Remove defective gauge* and install the proper Amerex pressure gauge using Teflon tape on the gauge threads..
5. Leak in the cylinder.	5. Contact Amerex if under warranty, otherwise - mark "Rejected" and remove from service or return to owner.

* Pressure gauge threads are coated with a special epoxy at the factory. For easy removal, soak the valve assembly in hot water (180°F.) for two to four minutes. Remove gauge with a thin 7/16" open end wrench.

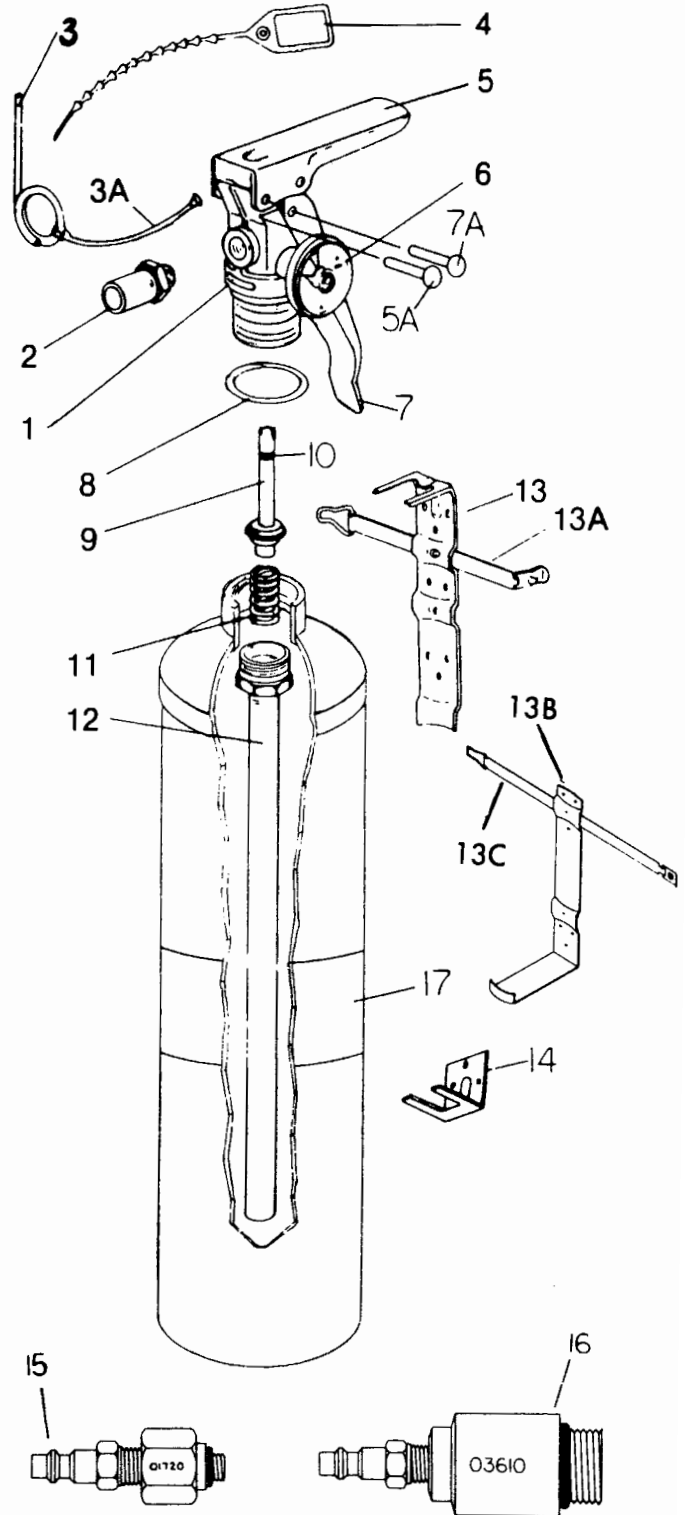
PARTS LIST
for
2 1/2, 5 and 6 LB. DRY CHEMICAL
EXTINGUISHERS WITH FIXED NOZZLE
(ALUMINUM VALVE)

MODELS	417/417T	2 1/2 LB. ABC	409T	5 LB. REGULAR
	403T	2 1/2 LB. REGULAR	416T	5 LB. PURPLE K
	410T	2 1/2 LB. PURPLE K	442	6 LB. ABC
	425/425T	5 LB. ABC	459	6 LB. REGULAR

ITEM	PART NO.	DESCRIPTION	STD. PKG.
1	1053	Valve Ass'y - 403T, 417/417T, 410T	1
1	6213	Valve Ass'y - 425/425T, 409T, 416T	1
1	3356	Valve Ass'y - 442, 459	1
2	1926	Nozzle - 417/417T (.129)	6
2	1253	Nozzle - 425/425T (.166)	6
2	3741	Nozzle - 409T, 416T (.173P)	6
2	3211	Nozzle - 403T (.120ST)	6
2	1276	Nozzle - 410T (.120)	6
2	3353	Nozzle - 442, 459 (.144)	6
3	1412	Ring Pin, Aluminum	2
3A	0532	Chain (Nylon) for Ring Pin	24
4	1387	Lock Wire Seal (Yellow)	500
5	2625	Lever & Rivet	24
5A	1060	Rivet Only for Lever	1
6	3103	195 PSI Gauge	6
7	9002	Handle & Rivet, 2 1/2 & 5 lb.	1
7	9003	Handle & Rivet, 6 lb.	1
7A	1064	Rivet Only for Handle	24
8	5241	Collar O-Ring	24
9	6092	Valve Stem Ass'y	6
10	5235	Valve Stem O-Ring	24
11	1074	Spring	6
12	1075	Downtube/Retainer Ass'y - 417/417T, 403T, 410T	1
12	6212	Downtube/Retainer Ass'y - 425/425T, 409T, 416T	1
12	3397	Downtube/Retainer Ass'y - 442, 459	1
13	817	Vehicle/Marine Bracket - 417/417T, 403T, 410T	6
13	818	Vehicle/Marine Bracket - 425T, 409T, 416T	6
13B	821	Vehicle/Marine Bracket - 5 lb.	4
13B	808	Vehicle/Marine Bracket - 442, 459	4
*	1416	3/8" Rubber Bumper for 817, 818	80
13A	4494	Strap Ass'y with Rivet - 817	1
13A	4495	Strap Ass'y with Rivet - 818	1
13C	6201	Strap Ass'y with Rivet - 821	1
13C	6064	Strap Ass'y with Rivet - 808	1
14	4834	Wall Hanger Bracket - 417	6
14	1521	Wall Hanger Bracket - 425	6
14	5525	Wall Hanger Bracket - 442, 459	6
15	1720	Fill Adapter, Hansen Quick Connect Type, 3/8" - 24 UNF Thread	1
16	3610	Hydrotest Adapter	1
17		Nameplate (Label) Non U/L SPECIFY MODEL NUMBER OF THE EXTINGUISHER	1
*	6247	VISILOX Lubricant (5 oz. Tube)	1

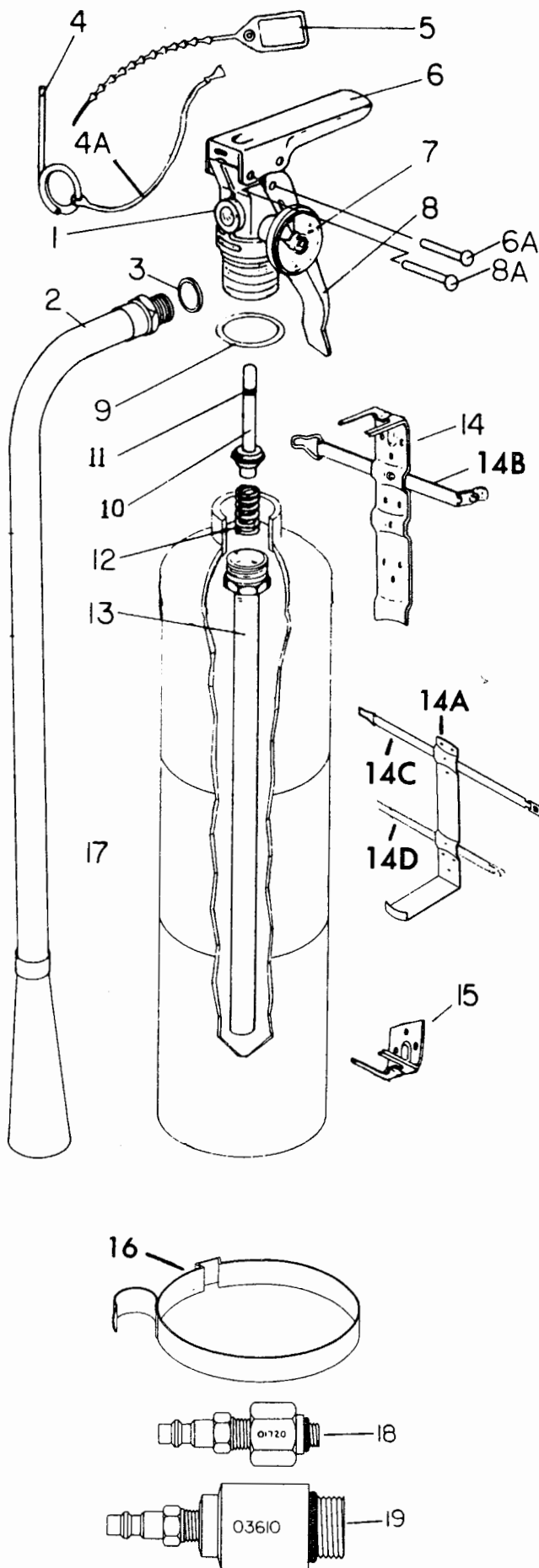
NOTE: All Valve Assemblies include Gauge, Lever, Handle, Valve Stem Ass'y, Spring and Downtube/Retainer Ass'y

* PART NOT PICTURED



PARTS LIST
for
5, 5 1/2, 6 and 10 LB. DRY CHEMICAL
EXTINGUISHERS WITH HOSE AND HORN
(ALUMINUM VALVE)

MODELS	400/400T	5	LB. ABC	443	6	LB. ABC
	500/500T	5	LB. ABC	454	6	LB. REGULAR
	453	5 1/2	LB. REGULAR	456	10	LB. ABC
	479T	5	LB. PURPLE K			



ITEM	PART NO.	DESCRIPTION	STD. PKG.
1	6213	Valve Ass'y - 500/500T, 453, 479T	1
1	3356	Valve Ass'y - 400/400T, 443, 454	1
1	1626	Valve Ass'y - 456	1
2	7641	Hose & Horn Ass'y - 400/400T (.149)	1
2▲	5248	Hose & Horn Ass'y - 479T, 500/500T, 443 (.152)	1
2▲	6215	Hose & Horn Ass'y - 453, 500/500T (.147)	1
2	2162	Hose & Horn Ass'y - 454 (.140)	1
2	5564	Hose & Horn Ass'y - 456 (.191)	1
3	1532	Hose Gasket (O-Ring)	24
4	1412	Ring Pin, Aluminum	24
4A	0532	Chain (Nylon) for Ring Pin	24
5	1387	Lock Wire Seal (Yellow)	500
6	2625	Lever & Rivet	1
6A	1060	Rivet Only for Lever	24
7	3103	195 PSI Gauge	6
8	9002	Handle & Rivet - 453, 479T, 500/500T	1
8	9003	Handle & Rivet - 400/400T, 443, 454, 456	1
8A	1064	Rivet Only for Handle	24
9	5241	Collar O-Ring	24
10	6092	Valve Stem Ass'y	6
11	5235	Valve Stem O-Ring	24
12	1074	Spring	6
13	6212	Downtube/Retainer Ass'y - 453, 479T 500/500T	1
13	3397	Downtube/Retainer Ass'y - 400/400T, 443, 454	1
13	1519	Downtube/Retainer Ass'y - 456	1
14	818	Vehicle/Marine Bracket - 400/400T, 453, 479T, 500/500T	6
14A	821	Vehicle/Marine Bracket - 5 & 5° lb.	4
14A	808	Vehicle/Marine Bracket - 443, 454	4
14A	846	Vehicle/Marine Bracket - 456	1
*	1416	3/8" Rubber Bumper for 818, 821, 808, 846	80
14B	4495	Strap Ass'y with Rivet - 818	1
14C	6201	Strap Ass'y with Rivet - 821	1
14C	6064	Strap Ass'y with Rivet - 808	1
14D	6065	Strap Ass'y with Rivet - 846	1
15	1521	Wall Hanger Bracket - 400, 453, 500	6
15	5525	Wall Hanger Bracket - 443, 454, 456	6
16	7282	Strap & Hose Clip Ass'y, S/S - 400/400T, 453, 479T, 500/500T	1
16	7283	Strap & Hose Clip Ass'y, S/S - 443, 454, 456	1
*	7859	Crimping Tool for S/S Strap & Hose Clip Ass'y	1
17		Nameplate (Label) Non U/L SPECIFY MODEL NUMBER OF THE EXTINGUISHER	1
18	1720	Fill Adapter, Hansen Quick Connect Type, 3/8" - 24 UNF Thread	1
19	3610	Hydrotest Adapter	1
*	6247	VISILOX Lubricant (5 oz. Tube)	1

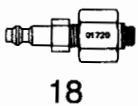
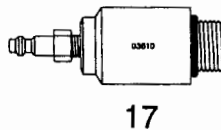
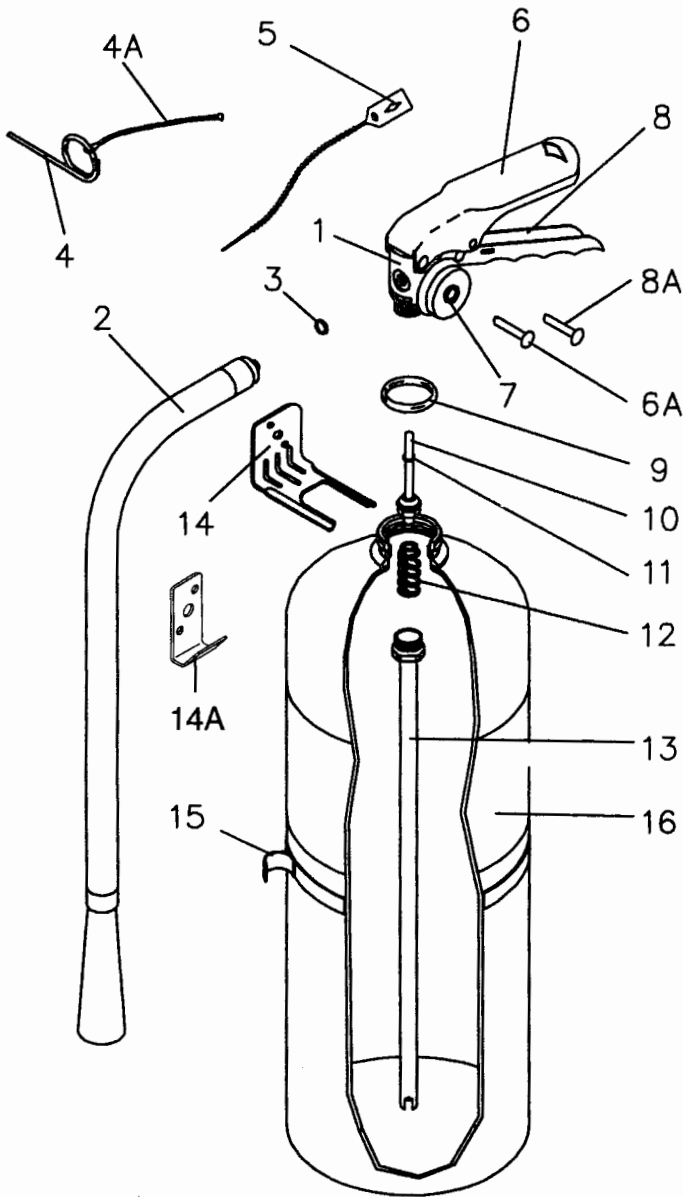
NOTE: All Valve Assemblies include Gauge, Lever, Handle, Valve Stem Ass'y, Spring and Downtube/Retainer Ass'y

* PART NOT PICTURED
▲ P/N: 5248 AND 6215 HOSE AND HORN ASS'Y ARE BOTH VALID FOR USE ON MODELS 500 & 500T.



"A" SERIES ALUMINUM VALVE
(Fall 1992)

PARTS LIST
for
5, 5½, 6, 10 & 20 LB. DRY CHEMICAL
EXTINGUISHERS WITH HOSE AND HORN



MODELS	WEIGHT	COLOR	MODELS	WEIGHT	COLOR
A400/A400T	5 LB.	ABC	A456	10 LB.	ABC
A500/A500T	5 LB.	ABC	A457	10 LB.	REGULAR
A453	5½ LB.	REGULAR	A411	20 LB.	ABC
A479T	5 LB.	PURPLE K	A412	20 LB.	REGULAR
A443	6 LB.	ABC	A413	20 LB.	PURPLE K

ITEM NO.	PART NO.	DESCRIPTION	STD. PKG.
1	11823	Valve Ass'y - 5, 5½, & 10 lb.	1
1	11824	Valve Ass'y - 20 lb.	1
2	7641	Hose & Horn Ass'y - A400/A400T (.149)	1
2	6215	Hose & Horn Ass'y - A453, A500/A500T (.147)	1
2	5248	Hose & Horn Ass'y - A443, A479T (.152)	1
2	5564	Hose & Horn Ass'y - A456, A457 (.191)	1
2	11221	Hose & Horn Ass'y - A411 (.209)	1
2	11223	Hose & Horn Ass'y - A412, A413 (.177)	1
3	1532	Hose Gasket (O-Ring) - A400/A400T, A453, A479T, A500/A500T, A443, A456, A457	24
3	6978	Hose Gasket (O-Ring) - A411, A412, A413	24
4	1412	Ring Pin, Aluminum	24
4A	0532	Chain (Nylon) for Ring Pin	24
5	1387	Lock Wire Seal (Yellow)	500
6	11825	Lever & Rivet	1
6A	1060	Rivet Only for Lever	24
7	3103	195 PSI Gauge	6
8	11826	Handle & Rivet for A400/A400T, A453, A479T, A500/A500T, A443	1
8	12163	Handle & Rivet for A456, A457, A411, A412, A413	1
8A	1064	Rivet Only for Handle - A400/A400T, A453, A479T, A500/A500T, A443	24
8A	12123	Rivet Only for Handle - A456, A457, A411, A412, A413	24
9	5241	Collar O-Ring	24
10	6092	Valve Stem Ass'y	6
11	5235	Valve Stem O-Ring	24
12	1074	Spring	6
13	6212	Downtube/Retainer Ass'y - A453, A479T, A500/500T	1
13	3397	Downtube/Retainer Ass'y - A400/400T, A443	1
13	1519	Downtube/Retainer Ass'y - A456, A457	1
13	11674	Downtube/Retainer Ass'y - A411, A412, A413	1
14	1521	Wall Hanger Bracket - A400, A453, A500	6
14	5525	Wall Hanger Bracket - A443, A456, A457	6
14A	1007	Wall Hanger Bracket - A411, A412, A413	6
Vehicle/Marine Brackets - SEE PAGE 3 APRIL 15, 1991 PARTS PRICE LIST			
15	7282	Strap & Hose Clip Ass'y, S/S - A400/400T, A453, 479T, 500/500T	1
15	7283	Strap & Hose Clip Ass'y, S/S - A443, A456, A457	1
15	7285	Strap & Hose Clip Ass'y, S/S - A411, A412, A413	1
**	7859	Crimping Tool for S/S Strap & Hose Clip Ass'y	1
16		Nameplate (Label) Non U/L - SPECIFY MODEL NUMBER OF THE EXTINGUISHER	1
17	3610	Hydrotest Adapter	1
18	1720	Fill Adapter, Hansen Quick Connect Type 3/8" UNF Thread	1
**	6247	VISILOX Lubricant (5 oz. Tube)	1
NOTE: All Valve Assemblies include New Valve Body, Gauge, Lever and Handle			
** PART NOT PICTURED			



PARTS LIST

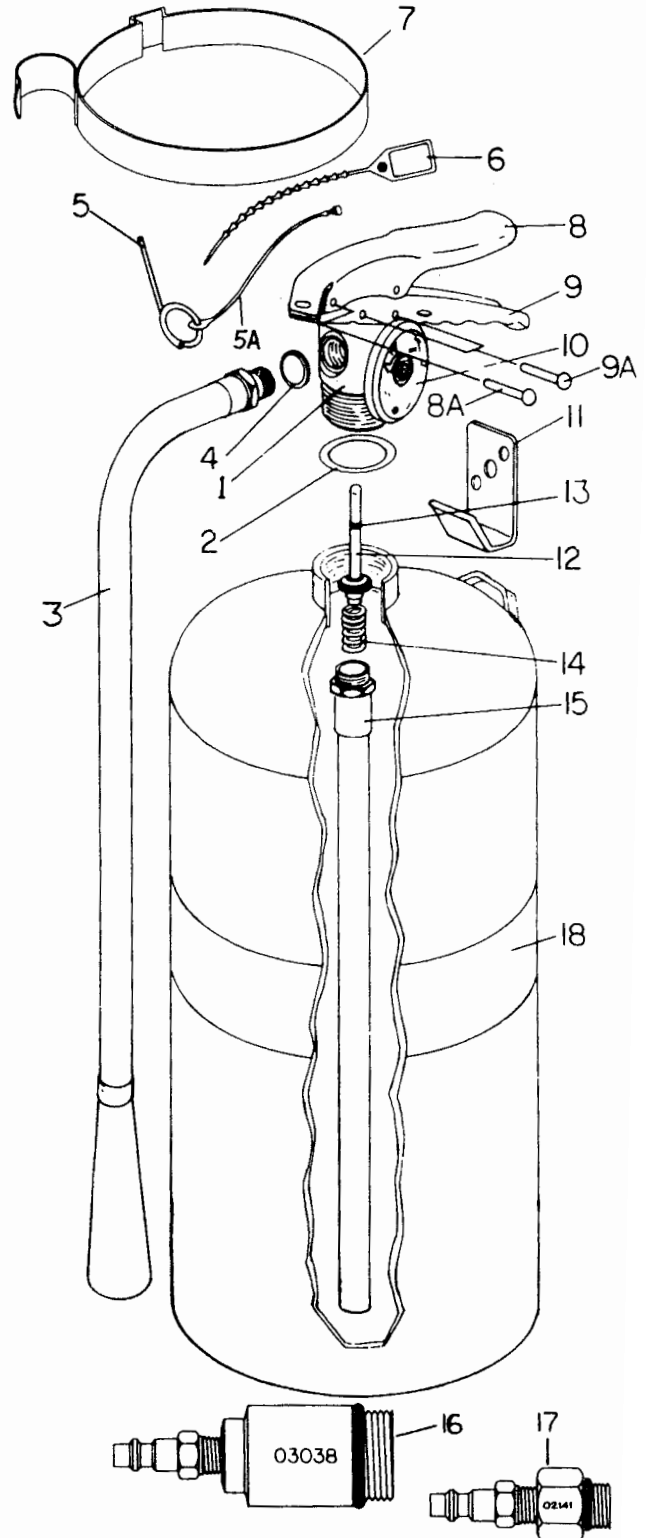
for
**5, 6, 10 and 20 LB. DRY CHEMICAL
EXTINGUISHERS WITH HOSE AND HORN
(BRASS VALVE)**

MODELS	424	5 LB. ABC	447	10 LB. REGULAR
	461	6 LB. ABC	460	10 LB. PURPLE K
	462	6 LB. REGULAR	423	20 LB. ABC
	419	10 LB. ABC (SHORT)	408	20 LB. REGULAR
	441	10 LB. ABC (TALL)	415	20 LB. PURPLE K

ITEM	PART NO.	DESCRIPTION	STD. PKG.
1	1195	Valve Ass'y - 424	1
1	0233	Valve Ass'y - 419	1
1	2611	Valve Ass'y - 441, 460, 447	1
1	1329	Valve Ass'y - 423, 408, 415	1
1	3756	Valve Ass'y - 461, 462	1
2	5240	Collar O-Ring	24
3	1178	Hose & Horn Ass'y - 447, 441 (.173)	1
3	3753	Hose & Horn Ass'y - 424, 461, 462 (.140)	1
3	6095	Hose & Horn Ass'y - 419, 460 (.152)	1
3	3339	Hose & Horn Ass'y - 423 (.174)	1
3	5174	Hose & Horn Ass'y - 415 (.177)	1
3	3332	Hose & Horn Ass'y - 408 (.173)	1
4	6978	Hose Gasket (O-Ring)	24
5	0160	Ring Pin, Stainless Steel	24
5A	0532	Chain (Nylon) for Ring Pin	24
6	1387	Lock Wire Seal (Yellow)	500
7	7282	Strap & Hose Clip Ass'y, S/S - 424	1
7	7283	Strap & Hose Clip Ass'y, S/S - 461, 462, 441, 447, 460	1
7	7284	Strap & Hose Clip Ass'y, S/S - 419	1
7	7285	Strap & Hose Clip Ass'y, S/S - 423, 408, 415	1
*	7859	Crimping Tool for S/S Strap & Hose Clip Ass'y	1
8	7762	Lever & Rivet	1
8A	1563	Rivet Only for Lever	24
9	9020	Handle & Rivets	1
9A	1564	Rivets Only for Handle (2 req'd)	24
10	3104	195 PSI Gauge	6
11	1007	Wall Hanger Bracket	6
12	6093	Valve Stem Ass'y	6
13	5243	Valve Stem O-Ring	24
14	0383	Spring	6
15	1696	Downtube/Retainer Ass'y - 424	1
15	1700	Downtube/Retainer Ass'y - 419	1
15	3754	Downtube/Retainer Ass'y - 461, 462	1
15	2609	Downtube/Retainer Ass'y - 441, 447, 460	1
15	1667	Downtube/Retainer Ass'y - 423, 408, 415	1
16	3038	Hydrotest Adapter	1
17	2141	Fill Adapter, Hansen Quick Connect Type, 5/8" UNF Thread	1
18		Nameplate (Label) Non U/L SPECIFY MODEL NUMBER OF THE EXTINGUISHER	1
*	6247	VISILOX Lubricant (5 oz. Tube)	1

NOTE: All Valve Assemblies include Gauge, Lever, Handle, Valve Stem Ass'y, Spring and Downtube/Retainer Ass'y

* PART NOT PICTURED



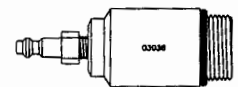
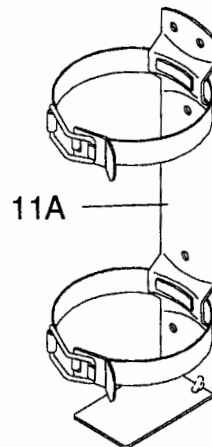
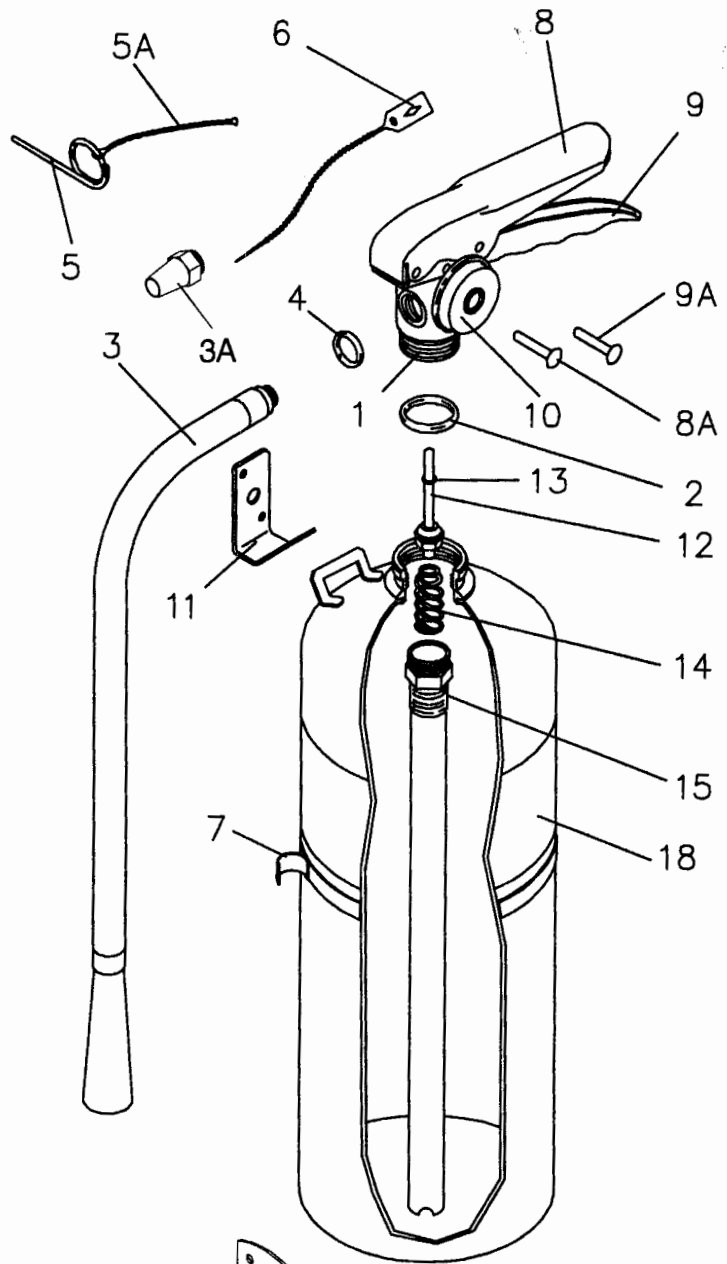
PARTS LIST

for
**2½ LB. (FIXED NOZZLE) & 5, 6, 10 and 20 LB.
 DRY CHEMICAL EXTINGUISHERS
 WITH HOSE AND HORN**

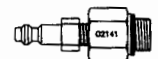
MODELS	418T	2½	LB. ABC	447	10	LB. REGULAR
	424	5	LB. ABC	460	10	LB. PURPLE K
	461	6	LB. ABC	423	20	LB. ABC
	462	6	LB. REGULAR	408	20	LB. REGULAR
	419	10	LB. ABC (SHORT)	415	20	LB. PURPLE K

ITEM NO.	PART NO.	DESCRIPTION	STD. PKG.
1	11952	Valve Ass'y - ALL MODELS	1
2	5240	Collar O-Ring	24
3	1178	Hose & Horn Ass'y - 447, 441 (.173)	1
3	3753	Hose & Horn Ass'y - 424, 461, 462 (.140)	1
3	6095	Hose & Horn Ass'y - 419, 460 (.152)	1
3	3339	Hose & Horn Ass'y - 423 (.174)	1
3	5174	Hose & Horn Ass'y - 415 (.177)	1
3	3332	Hose & Horn Ass'y - 408 (.173)	1
3A	11279	Nozzle for Model 418T (.136)	1
4	6978	Hose Gasket (O-Ring)	24
5	0160	Ring Pin, Stainless Steel	24
5A	0532	Chain (Nylon) for Ring Pin	24
6	1387	Lock Wire Seal (Yellow)	500
7	7282	Strap & Hose Clip Ass'y, S/S - 424	1
7	7283	Strap & Hose Clip Ass'y, S/S - 461, 462, 441, 447, 460	1
7	7284	Strap & Hose Clip Ass'y, S/S - 419	1
7	7285	Strap & Hose Clip Ass'y, S/S - 408, 415, 423	1
**	7859	Crimping Tool for S/S Strap and Hose Clip Ass'y	1
8	7762	Lever & Rivet	1
8A	1563	Rivet Only for Lever	24
9	9020	Handle & Rivets	1
9A	1564	Rivets Only for Handle (2 required)	24
10	3104	195 PSI Gauge	6
11	1007	Wall Hanger Bracket (All except Model 418T)	6
11A	878	Vehicle/Marine Bracket - Model 418T	6
12	6093	Valve Stem Ass'y	6
13	5243	Valve Stem O-Ring	24
14	0383	Spring	6
15	11344	Downtube/Retainer Ass'y - 418T	1
15	1696	Downtube/Retainer Ass'y - 424	1
15	1700	Downtube/Retainer Ass'y - 419	1
15	3754	Downtube/Retainer Ass'y - 461, 462	1
15	2609	Downtube/Retainer Ass'y - 441, 447, 460	1
15	1667	Downtube/Retainer Ass'y - 408, 415, 423	1
16	3038	Hydrotest Adapter	1
17	2141	Fill Adapter, Hansen Quick Connect Type 5/8" UNF Thread	1
18		Nameplate (Label) Non U/L - SPECIFY MODEL NUMBER OF THE EXTINGUISHER	1
**	6247	VISILOX Lubricant (5 oz. Tube)	1
NOTE:		All Valve Assemblies include New Valve Body, Gauge, Lever and Handle	
*		SEE CURRENT EXTINGUISHER PRICE SHEET	
**		PART NOT PICTURED	

NEW BRASS VALVE (FALL 1992)



16



17



PARTS LIST
for
**2½ and 5 LB. DRY CHEMICAL
EXTINGUISHERS WITH FIXED NOZZLE**

MODELS	A417/A417T	2 1/2 LB. ABC
	A403T	2 1/2 LB. REGULAR
	A410T	2 1/2 LB. PURPLE K
	A409T	5 LB. REGULAR

**"A" SERIES ALUMINUM VALVE
(FALL 1992)**

ITEM NO.	PART NO.	DESCRIPTION	STD. PKG.
1	11823	Valve Ass'y - ALL MODELS	1
2	1926	Nozzle - A417/A417T (.129)	6
2	3741	Nozzle - A409T (.173P)	6
2	3211	Nozzle - A403T (.120ST)	6
2	1276	Nozzle - A410T (.120)	6
3	1412	Ring Pin, Aluminum	24
3A	0532	Chain (Nylon) for Ring Pin	24
4	1387	Lock Wire Seal (Yellow)	500
5	11825	Lever & Rivet	1
5A	1060	Rivet Only for Lever	24
6	3103	195 PSI Gauge	6
7	11826	Handle & Rivet	1
7A	1064	Rivet Only for Handle	24
8	5241	Collar O-Ring	24
9	6092	Valve Stem Ass'y	6
10	5235	Valve Stem O-Ring	24
11	1074	Spring	6
12	1075	Downtube/Retainer Ass'y - A417/A417T, A403T, A410T	1
12	6212	Downtube/Retainer Ass'y - A409T	1
13	4834	Wall Hanger Bracket - A417	6
		Vehicle/Marine Brackets - SEE PAGE 2 APRIL 15, 1991 PARTS PRICE LIST	
14	3610	Hydrotest Adapter	1
15	1720	Fill Adapter, Hansen Quick Connect Type 3/8" UNF Thread	1
16		Nameplate (Label) Non U/L - SPECIFY MODEL NUMBER OF THE EXTINGUISHER	1
**	6247	VISILOX Lubricant (5 oz. Tube)	1
NOTE: All Valve Assemblies Include New Valve Body, Gauge, Lever and Handle			
** PART NOT PICTURED			

